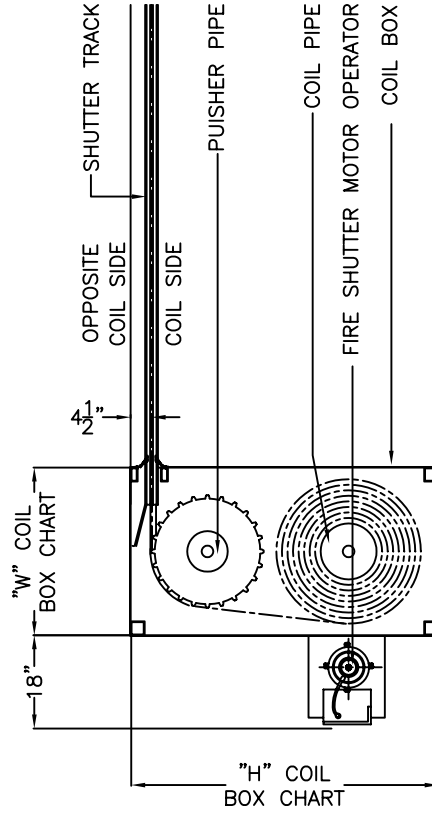




HORIZONTAL FIRE SHUTTER MODELS H200/HL250

8-45101



NOTE:  
(A) FOR ADDITIONAL MOTOR LOCATION OPTIONS REFER TO COIL BOX SELECTION CHART;  
(B) COIL BOX MAY BE INVERTED TO THE UP POSITION