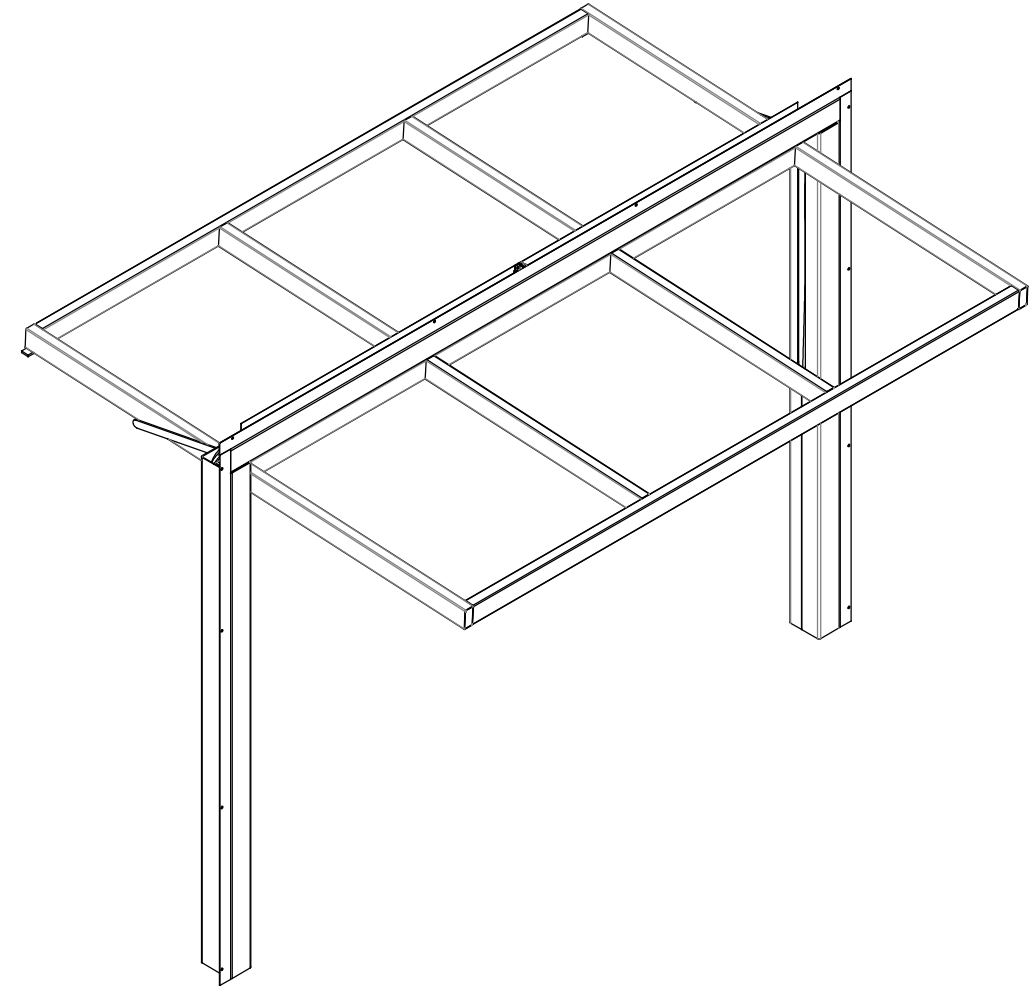


CROWN

INCORPORATED

135 MCLEOD AVENUE, SOUTH
PLATO, MN 55370
(320) 238-2616
INFO@CROWNDOORS.COM

50/50 HYDRAULIC SYSTEM



**PRELIMINARY
NOT FOR CONSTRUCTION**

PROPRIETARY AND CONFIDENTIAL

THE INFORMATION CONTAINED WITHIN THIS DRAWING SET IS THE SOLE PROPERTY OF CROWN INCORPORATED. ANY REPRODUCTION - IN PART, OR AS A WHOLE - WITHOUT THE EXPRESSED, WRITTEN CONSENT OF CROWN INCORPORATED IS PROHIBITED

IMPORTANT NOTICE:

ALL DIMENSIONS SHOWN ARE CRITICAL TO PROPER DOOR OPERATION. IF ANY CHANGES ARE MADE, CONTACT CROWN INCORPORATED IMMEDIATELY. ANY CHANGES MAY INCUR ADDITIONAL CHARGES.

ALL PARTS NOT LISTED AS "BY OTHERS" TO BE PROVIDED BY CROWN INCORPORATED.

SAMPLE DRAWINGS

- THE FOLLOWING DETAILS REPRESENT TYPICAL CONDITIONS. DETAILS/DIMENSIONS WILL VARY BETWEEN INSTALLATIONS.
- SAMPLE DRAWINGS DO NOT REPRESENT ALL AVAILABLE OPTIONS - REFER TO QUOTATION.

GENERAL NOTES

- STRUCTURAL SUPPORT (JAMBS/HEADER) BY G.C.
- INSTALLER TO CAULK AROUND MOUNTING ANGLES
- MAXIMUM ALLOWABLE RISE OF FINISHED FLOOR IS 3/8"
- CROWN, INC. RESERVES THE RIGHT TO CHANGE/IMPROVE PRODUCTS WITHOUT PRIOR NOTICE
- THE INFORMATION CONTAINED WITHIN THIS DRAWING SET IS THE SOLE PROPERTY OF CROWN, INC. ANY REPRODUCTION - IN PART, OR AS A WHOLE - WITHOUT THE EXPRESSED, WRITTEN PERMISSION OF CROWN, INC. IS PROHIBITED
- CROWN, INC. WILL NOT BE HELD RESPONSIBLE FOR CODE VIOLATIONS

LATERAL DRIFT AND VERTICAL DEFLECTION:

TO MAINTAIN NORMAL OPERATION OF THE DOOR/WINDOW SYSTEM, MID-HEADER DOWNWARD DEFLECTION LIMIT AND LATERAL DRIFT LIMIT OF SURROUNDING STRUCTURE IS 3/8". MAXIMUM ALLOWABLE RISE OF FINISHED FLOOR BETWEEN JAMBS IS 3/8".

STEEL MEMBERS:

STEEL TUBE FRAME MEMBERS VARY IN SIZE, DEPENDING UPON ROUGH OPENING DIMENSIONS AND COVERING/CLADDING WEIGHT. LARGER OPENINGS AND HEAVIER COVERING OR CLADDING WILL REQUIRE LARGER STEEL COMPONENTS.

TOLERANCE: TOLERANCE FOR LOCATION OF VERTICAL AND HORIZONTAL STEEL TUBE MEMBERS IS 1/8"

IMPORTANT NOTE: DO NOT PRE-DRILL ROUGH OPENING

PROPRIETARY AND CONFIDENTIAL

THE INFORMATION CONTAINED WITHIN THIS DRAWING SET IS THE SOLE PROPERTY OF CROWN INCORPORATED. ANY REPRODUCTION - IN PART, OR AS A WHOLE - WITHOUT THE EXPRESSED, WRITTEN CONSENT OF CROWN INCORPORATED IS PROHIBITED

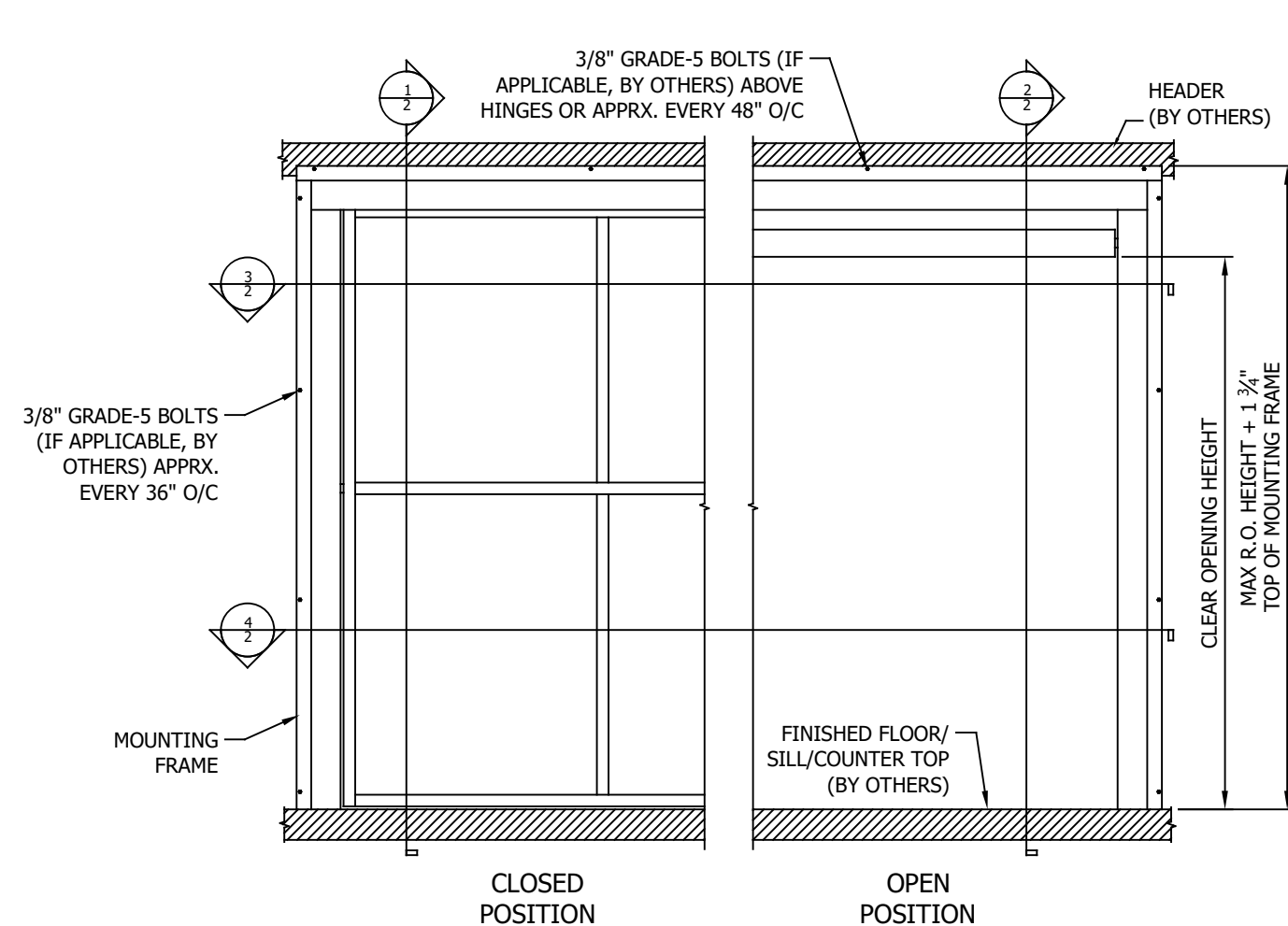
IMPORTANT NOTICE:

ALL DIMENSIONS SHOWN ARE CRITICAL TO PROPER DOOR OPERATION. IF ANY CHANGES ARE MADE, CONTACT CROWN INCORPORATED IMMEDIATELY. ANY CHANGES MAY INCUR ADDITIONAL CHARGES.

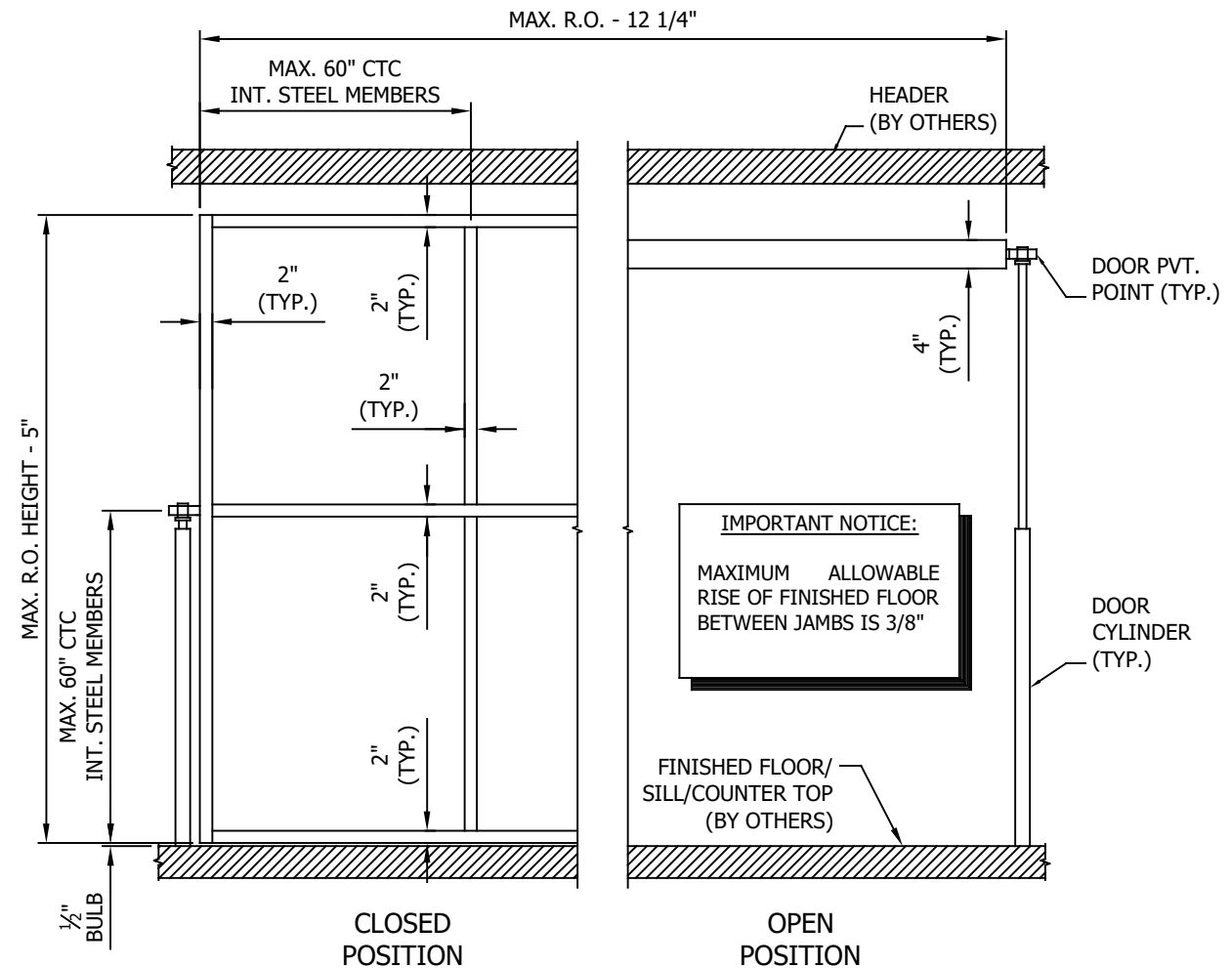
ALL PARTS NOT LISTED AS "BY OTHERS" TO BE PROVIDED BY CROWN INCORPORATED.



SAMPLE DRAWING



1 DOOR PANEL w/FRAME - EXTERIOR VIEW
NO SCALE



2 DOOR PANEL - EXTERIOR VIEW
NO SCALE

50/50 HYDRAULIC SYSTEM
CROWN, INCORPORATED
PLATO, MINNESOTA, 55370

MODEL: 50/50
DRAWN: 8/2016

SHEET: 1.0

LATERAL DRIFT AND VERTICAL DEFLECTION:

TO MAINTAIN NORMAL OPERATION OF THE DOOR/WINDOW SYSTEM, MID-HEADER DOWNWARD DEFLECTION LIMIT AND LATERAL DRIFT LIMIT OF SURROUNDING STRUCTURE IS 3/8". MAXIMUM ALLOWABLE RISE OF FINISHED FLOOR BETWEEN JAMBS IS 3/8".

TOLERANCE: TOLERANCE FOR LOCATION OF VERTICAL AND HORIZONTAL STEEL TUBE MEMBERS IS 1/8"

IMPORTANT NOTE: DO NOT PRE-DRILL ROUGH OPENING

NOTES:

APPROX. SYSTEM WEIGHT W/CYLINDERS:	9 LBS. P.S.F.
COVERING SYSTEM WEIGHT:	VARIES
APPROX. TOTAL DOOR PANEL WEIGHT w/COVERING:	TBD
STD. ELECTRICAL REQUIREMENTS:	208-230v, 1-PH
MOTOR:	TBD
POWER UNIT:	TBD
STD. WIND LOAD:	90 MPH EXP. C
APPROX. DOOR OPEN SPEED:	TYP. 14-15' PER MIN.
CYLINDER:	TBD
STD. FINISH:	RED-OXIDE, PRIMED

PROPRIETARY AND CONFIDENTIAL

THE INFORMATION CONTAINED WITHIN THIS DRAWING SET IS THE SOLE PROPERTY OF CROWN INCORPORATED. ANY REPRODUCTION - IN PART, OR AS A WHOLE - WITHOUT THE EXPRESSED, WRITTEN CONSENT OF CROWN INCORPORATED IS PROHIBITED

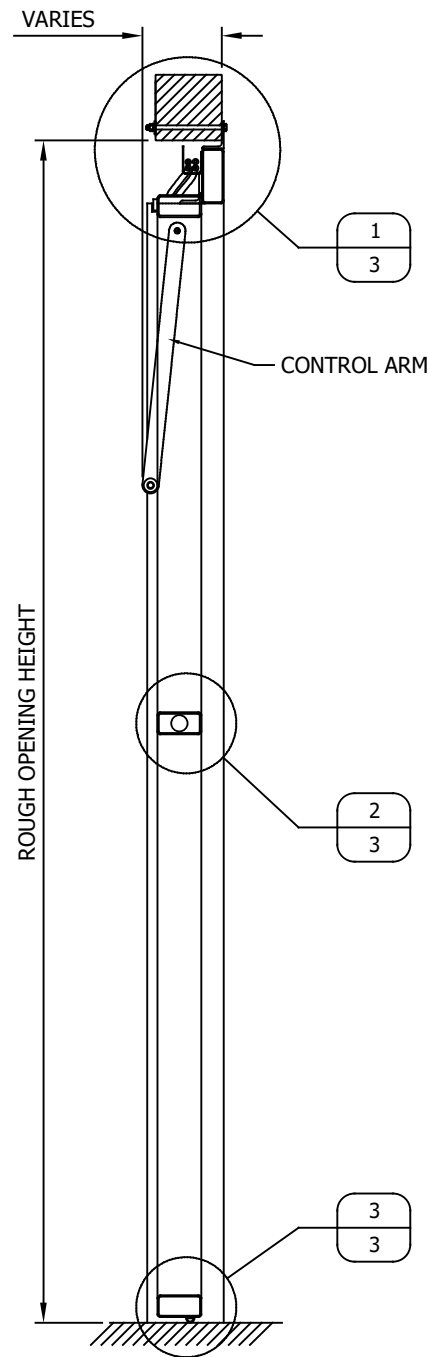
IMPORTANT NOTICE:

ALL DIMENSIONS SHOWN ARE CRITICAL TO PROPER DOOR OPERATION. IF ANY CHANGES ARE MADE, CONTACT CROWN INCORPORATED IMMEDIATELY. ANY CHANGES MAY INCUR ADDITIONAL CHARGES.

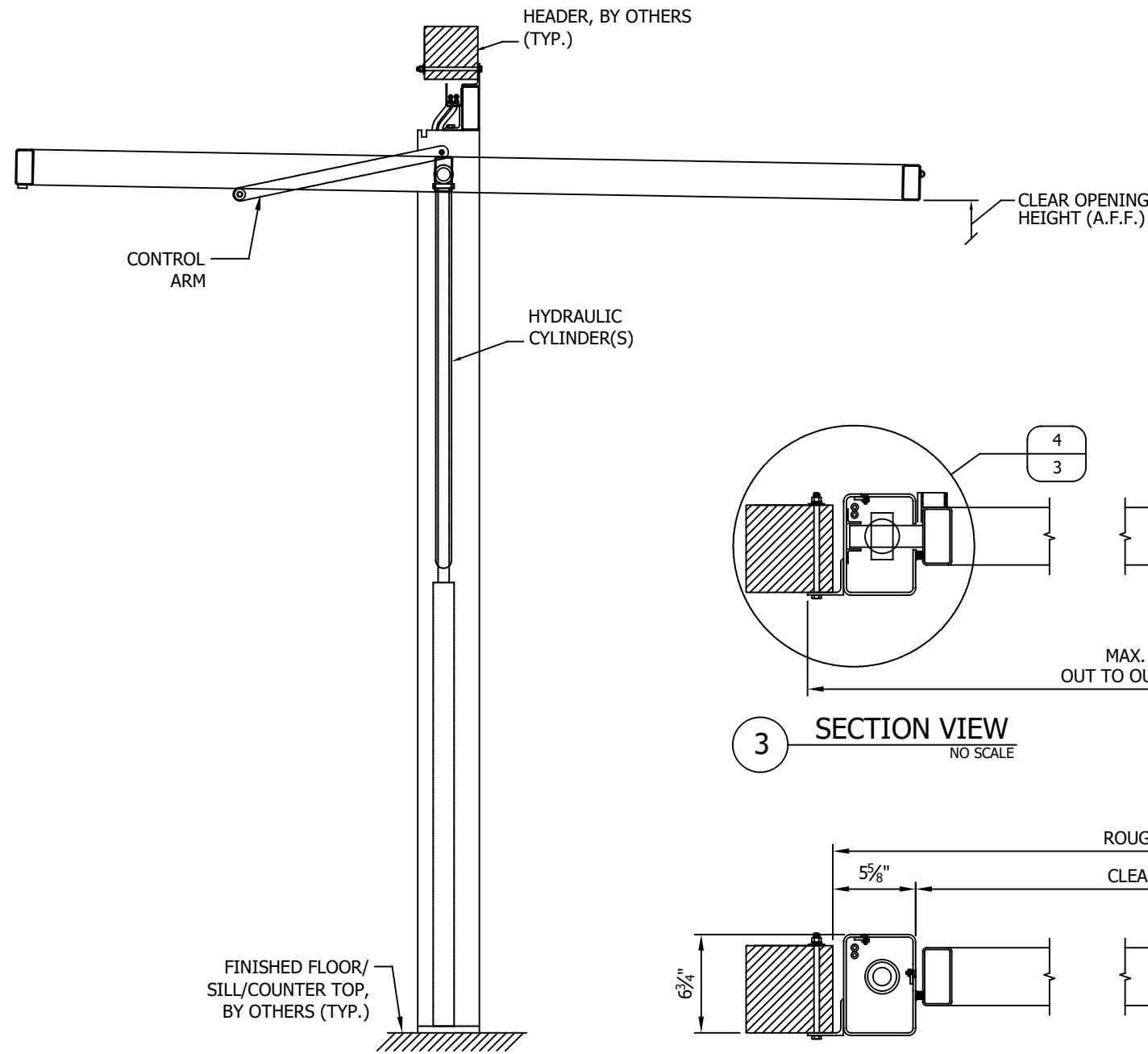
ALL PARTS NOT LISTED AS "BY OTHERS" TO BE PROVIDED BY CROWN INCORPORATED.



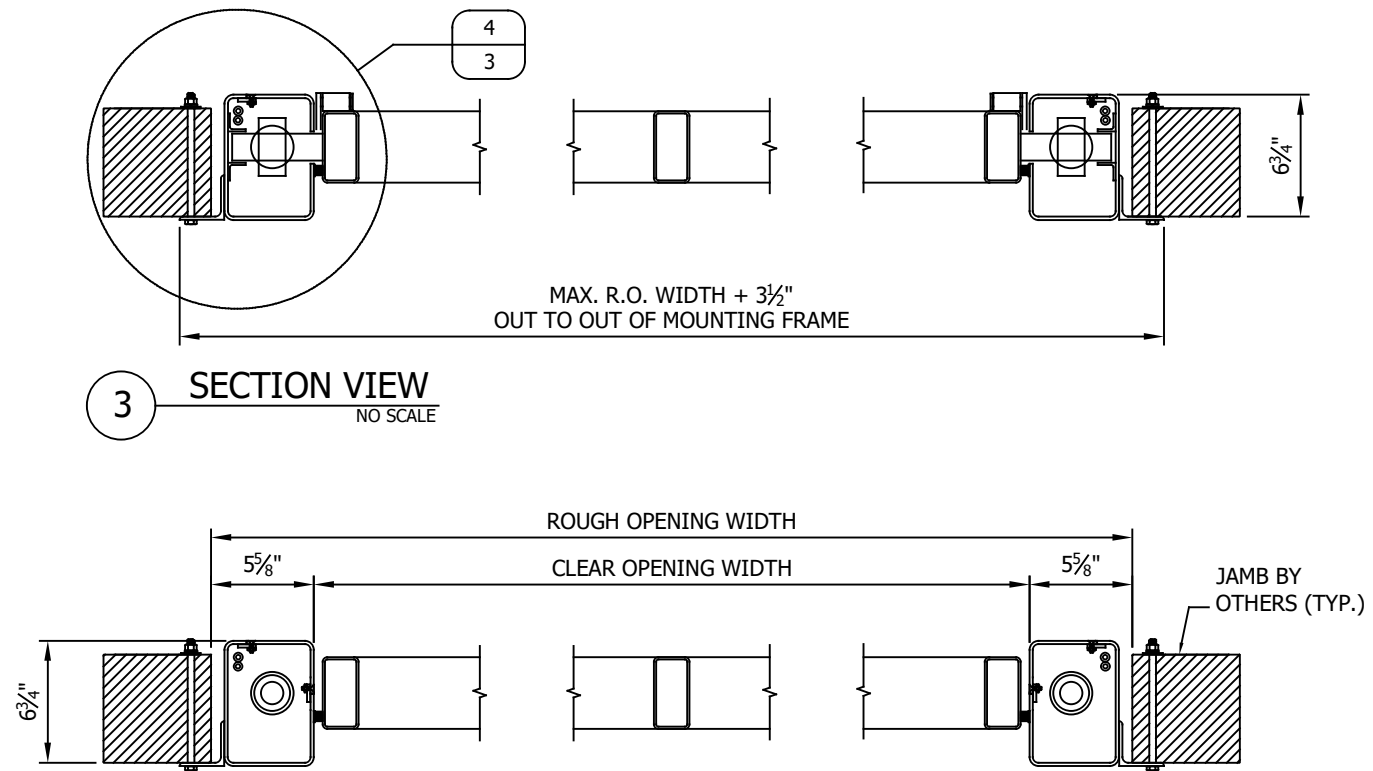
SAMPLE DRAWING



1 VERTICAL SECTION
NO SCALE



2 VERTICAL SECTION
NO SCALE



3 SECTION VIEW
NO SCALE

4 SECTION VIEW
NO SCALE

50/50 HYDRAULIC SYSTEM
CROWN, INCORPORATED
PLATO, MINNESOTA, 55370

MODEL: 50/50
DRAWN: 8/2016

SHEET: **2.0**

PROPRIETARY AND CONFIDENTIAL

THE INFORMATION CONTAINED WITHIN THIS DRAWING SET IS THE SOLE PROPERTY OF CROWN INCORPORATED. ANY REPRODUCTION - IN PART, OR AS A WHOLE - WITHOUT THE EXPRESSED, WRITTEN CONSENT OF CROWN INCORPORATED IS PROHIBITED

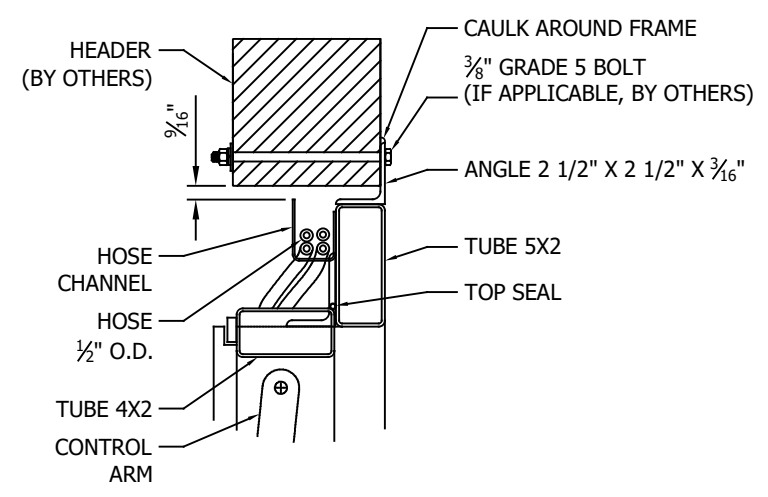


IMPORTANT NOTICE:

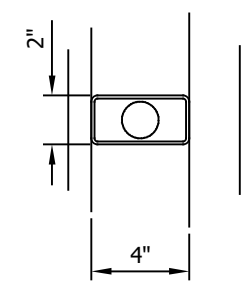
ALL DIMENSIONS SHOWN ARE CRITICAL TO PROPER DOOR OPERATION. IF ANY CHANGES ARE MADE, CONTACT CROWN INCORPORATED IMMEDIATELY. ANY CHANGES MAY INCUR ADDITIONAL CHARGES.

ALL PARTS NOT LISTED AS "BY OTHERS" TO BE PROVIDED BY CROWN INCORPORATED.

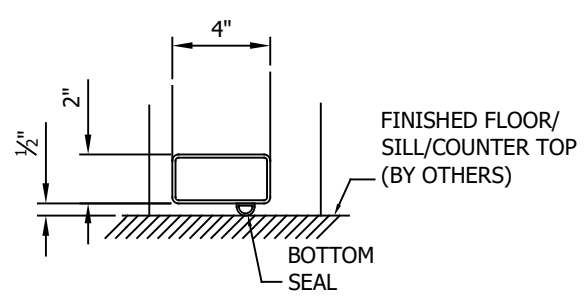
SAMPLE DRAWING



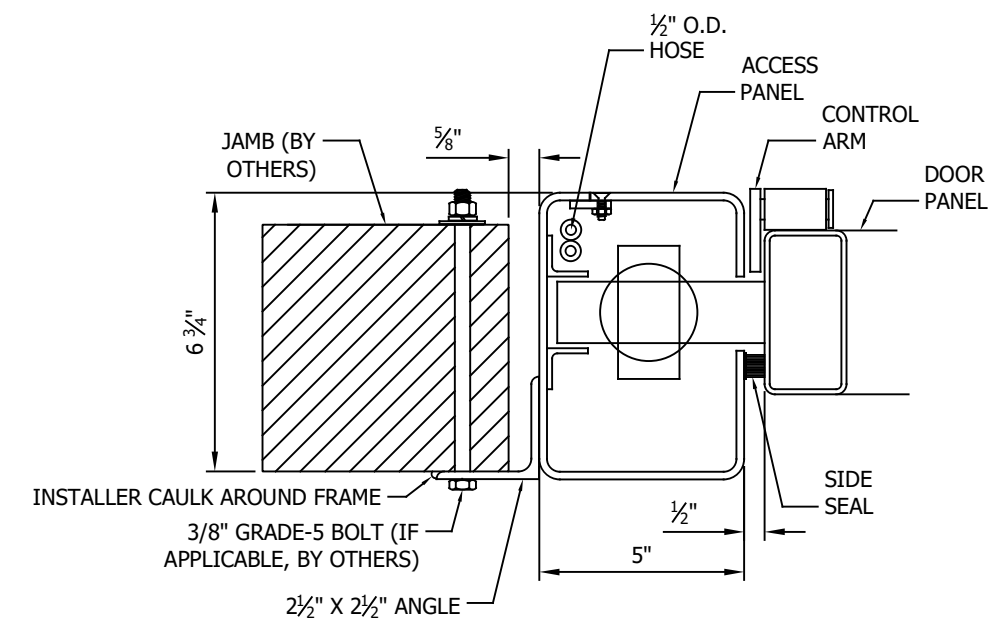
1 SECTION VIEW @ HEAD
NO SCALE



2 SECTION VIEW @ INT. HORIZONTAL
NO SCALE



3 SECTION VIEW @ BASE
NO SCALE



4 SECTION VIEW @ JAMB
NO SCALE

50/50 HYDRAULIC SYSTEM
CROWN, INCORPORATED
PLATO, MINNESOTA, 55370

MODEL: 50/50
DRAWN: 8/2016

SHEET: **3.0**

PROPRIETARY AND CONFIDENTIAL

THE INFORMATION CONTAINED WITHIN THIS DRAWING SET IS THE SOLE PROPERTY OF CROWN INCORPORATED. ANY REPRODUCTION - IN PART, OR AS A WHOLE - WITHOUT THE EXPRESSED, WRITTEN CONSENT OF CROWN INCORPORATED IS PROHIBITED

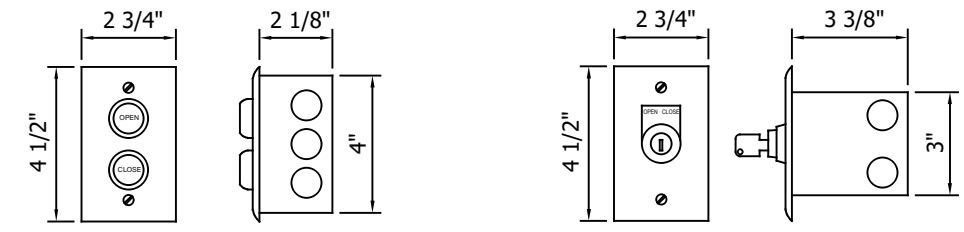


IMPORTANT NOTICE:

ALL DIMENSIONS SHOWN ARE CRITICAL TO PROPER DOOR OPERATION. IF ANY CHANGES ARE MADE, CONTACT CROWN INCORPORATED IMMEDIATELY. ANY CHANGES MAY INCUR ADDITIONAL CHARGES.

ALL PARTS NOT LISTED AS "BY OTHERS" TO BE PROVIDED BY CROWN INCORPORATED.

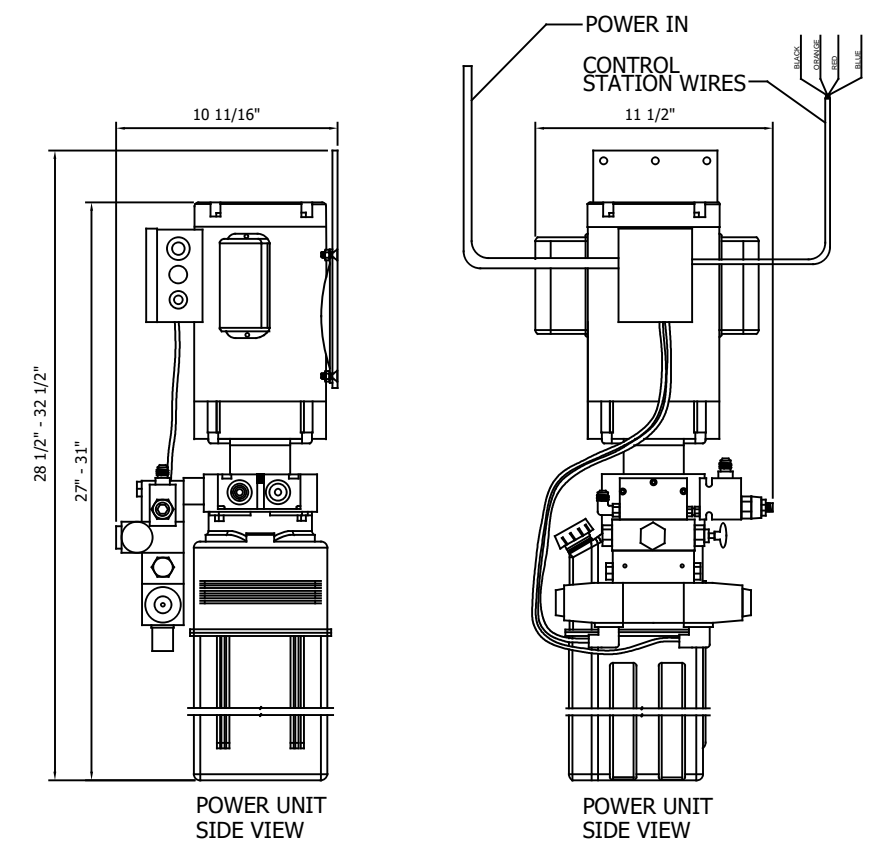
SAMPLE DRAWING



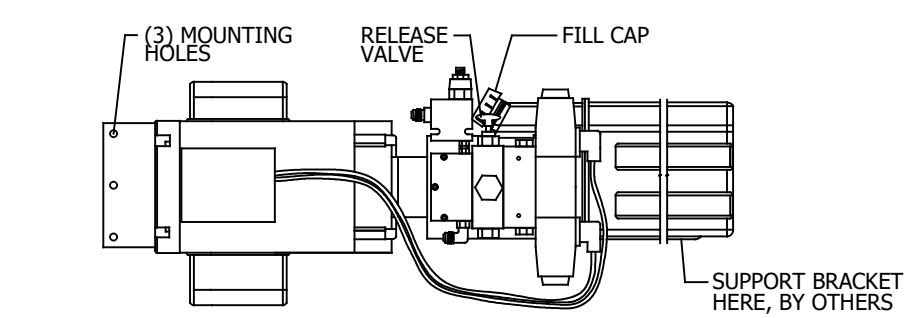
FLUSH-MOUNT, CONSTANT-CONTACT 2BUTTON W/STAINLESS COVER (STANDARD)

FLUSH-MOUNT, CONSTANT-HOLD KEY SWITCH W/STAINLESS COVER (STANDARD)

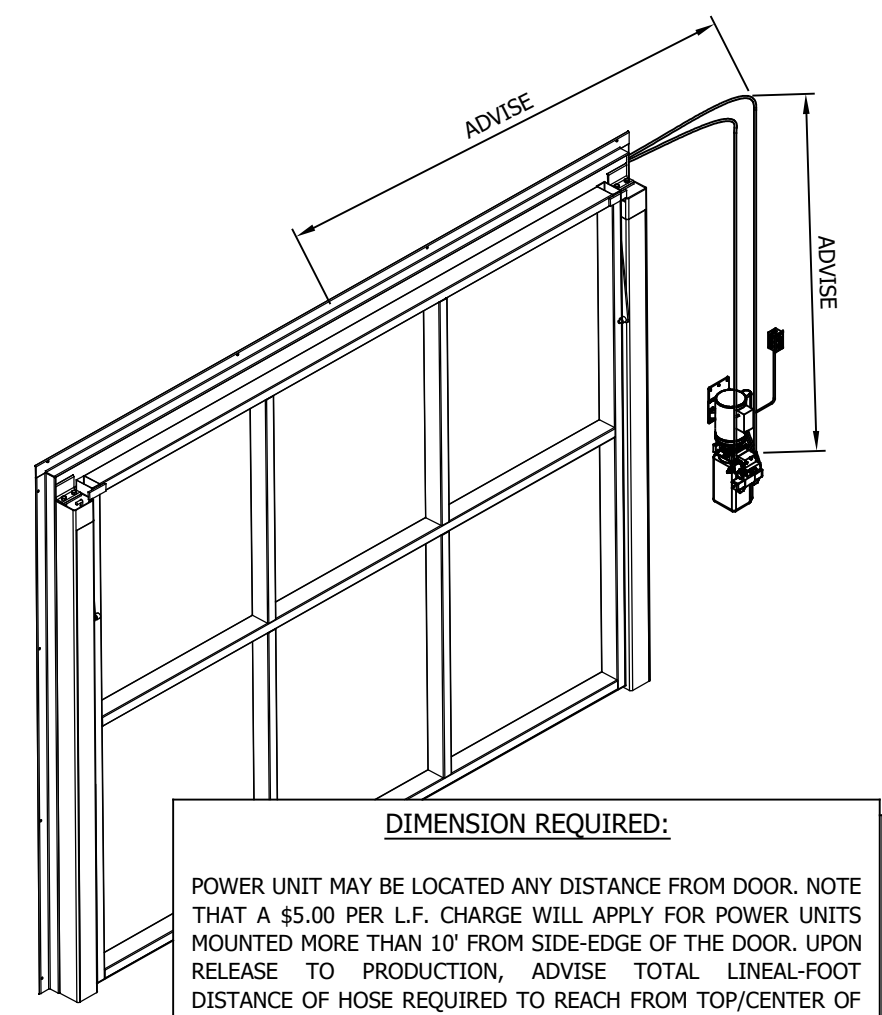
1 CONTROL OPTIONS
NO SCALE



2 MOTOR UNIT - STD. VERT. MOUNT
NO SCALE



3 MOTOR UNIT - OPTIONAL HORIZ. MOUNT



DIMENSION REQUIRED:

POWER UNIT MAY BE LOCATED ANY DISTANCE FROM DOOR. NOTE THAT A \$5.00 PER L.F. CHARGE WILL APPLY FOR POWER UNITS MOUNTED MORE THAN 10' FROM SIDE-EDGE OF THE DOOR. UPON RELEASE TO PRODUCTION, ADVISE TOTAL LINEAL-FOOT DISTANCE OF HOSE REQUIRED TO REACH FROM TOP/CENTER OF DOOR FRAME TO POWER UNIT. IF PROJECT INCLUDES MULTIPLE DOORS, ADVISE DISTANCE FOR EACH.

4 ISOMETRIC - INTERIOR VIEW
NO SCALE

50/50 HYDRAULIC SYSTEM
CROWN, INCORPORATED
PLATO, MINNESOTA, 55370

MODEL: 50/50
DRAWN: 8/2016

SHEET: **4.0**

IMPORTANT NOTE:

- ALL ALUMINUM RETAINER IS SHIPPED IN FULL-LENGTH PIECES, TO BE CUT TO SIZE AND/OR MITERED, IN FIELD
- DETAILS ARE FOR REPRESENTATION, ONLY, SHOWING CROWN STD. INSIDE-SASH RETAINER SYSTEM
- GLASS SHOWN IS MOST COMMON. OTHER GLASS TYPES/THICKNESSES ARE AVAILABLE

PROPRIETARY AND CONFIDENTIAL

THE INFORMATION CONTAINED WITHIN THIS DRAWING SET IS THE SOLE PROPERTY OF CROWN INCORPORATED. ANY REPRODUCTION - IN PART, OR AS A WHOLE - WITHOUT THE EXPRESSED, WRITTEN CONSENT OF CROWN INCORPORATED IS PROHIBITED

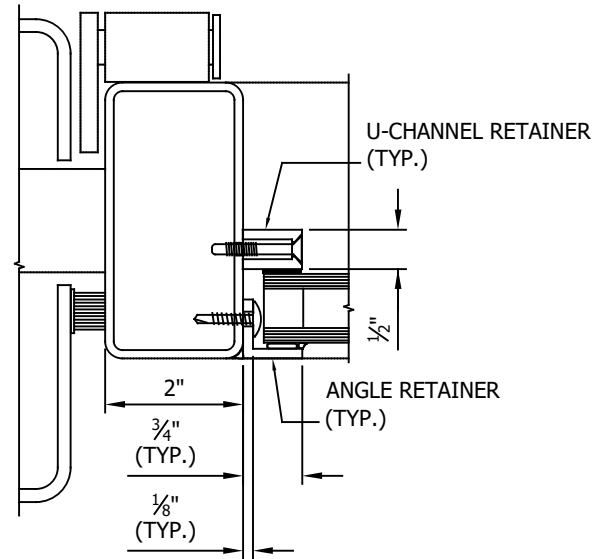
IMPORTANT NOTICE:

ALL DIMENSIONS SHOWN ARE CRITICAL TO PROPER DOOR OPERATION. IF ANY CHANGES ARE MADE, CONTACT CROWN INCORPORATED IMMEDIATELY. ANY CHANGES MAY INCUR ADDITIONAL CHARGES.

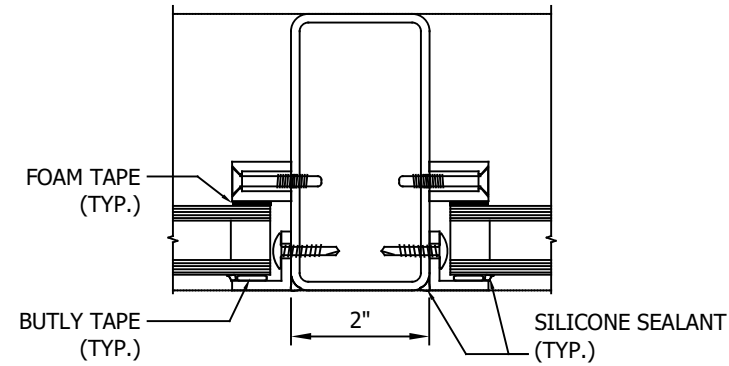
ALL PARTS NOT LISTED AS "BY OTHERS" TO BE PROVIDED BY CROWN INCORPORATED.



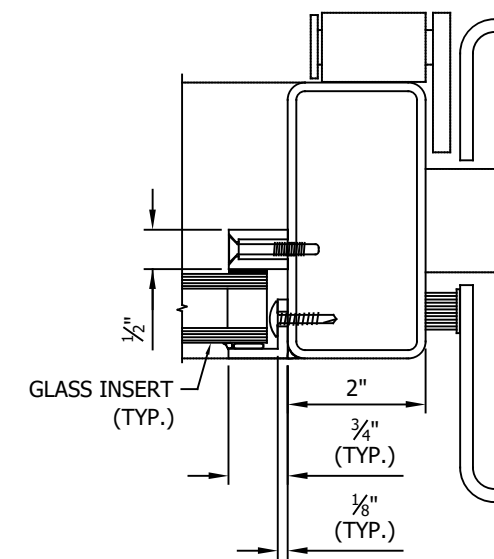
SAMPLE DRAWING



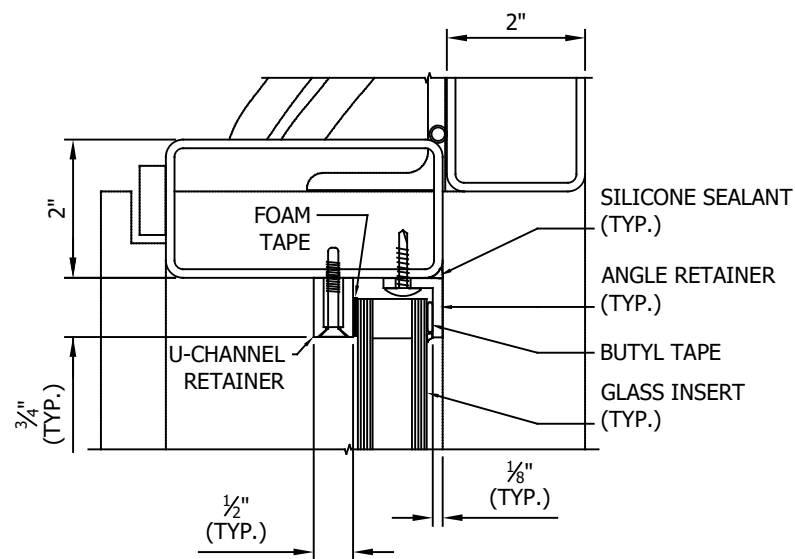
1 INSIDE-SASH ASSEMBLY
NO SCALE



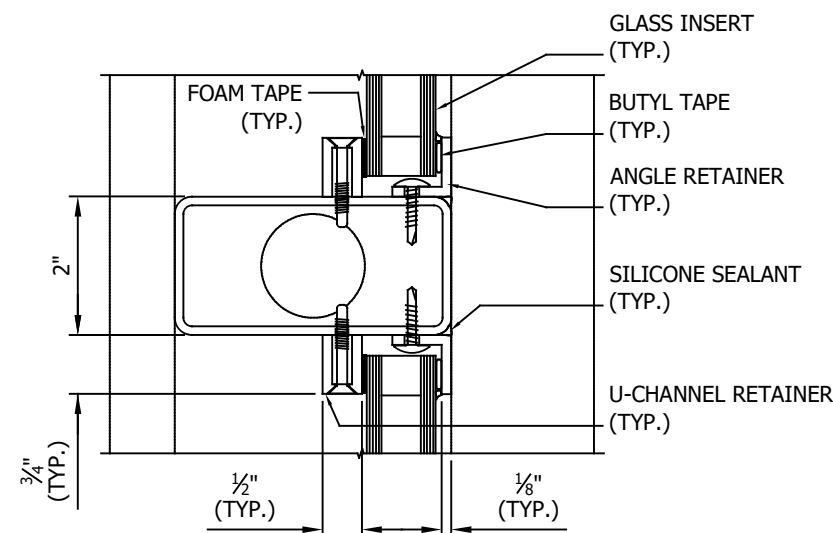
2 INSIDE-SASH ASSEMBLY
NO SCALE



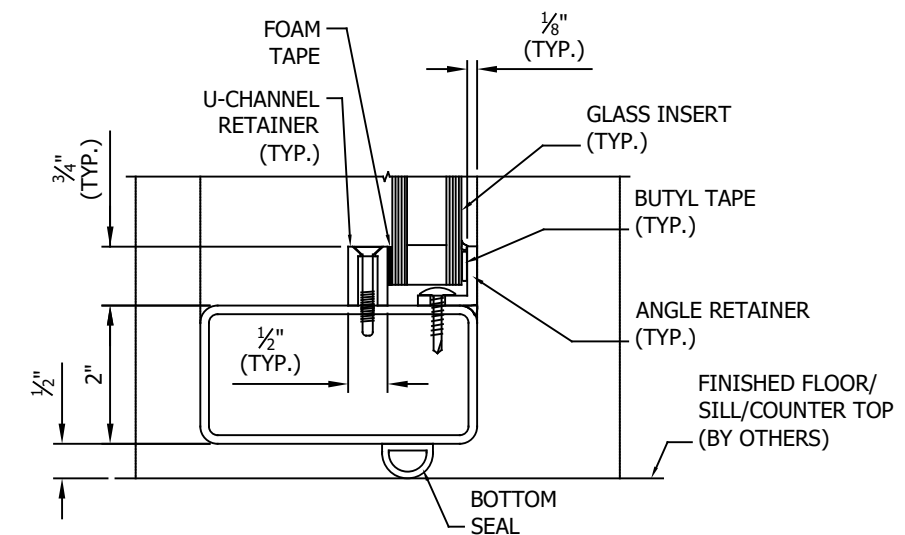
3 INSIDE-SASH ASSEMBLY
NO SCALE



4 INSIDE-SASH ASSEMBLY
NO SCALE



5 INSIDE-SASH ASSEMBLY
NO SCALE



6 INSIDE-SASH ASSEMBLY
NO SCALE

50/50 HYDRAULIC SYSTEM
CROWN, INCORPORATED
PLATO, MINNESOTA, 55370

MODEL: 50/50
DRAWN: 8/2016

SHEET: **5.0**