

SPIRAL[®] VT

HIGH PERFORMANCE VENTILATED DOOR

High Speed, High Cycles and Fresh Air All in One Door

With an opening speed of up to 100 inches per second, the Spiral VT is engineered for speed, high cycles, airflow, visibility and security. Fresh air and ventilation reduce air pollutants, bad odors, the potential for mold growth and help regulate building air pressure. While they allow air flow, the rigid, aluminum perforated slats eliminate the need for a second rolling security grille. Crisp lines give the Spiral VT a stylish look that's great for contemporary high-rise, mixed use parking, multi-family residential, institutional, and industrial applications.

Because anodized aluminum will not corrode, you can count on that look to last for many years under even the worst weather conditions.

High Security - High-speed operation, rigid aluminum slat construction and optional locks provide unparalleled security.

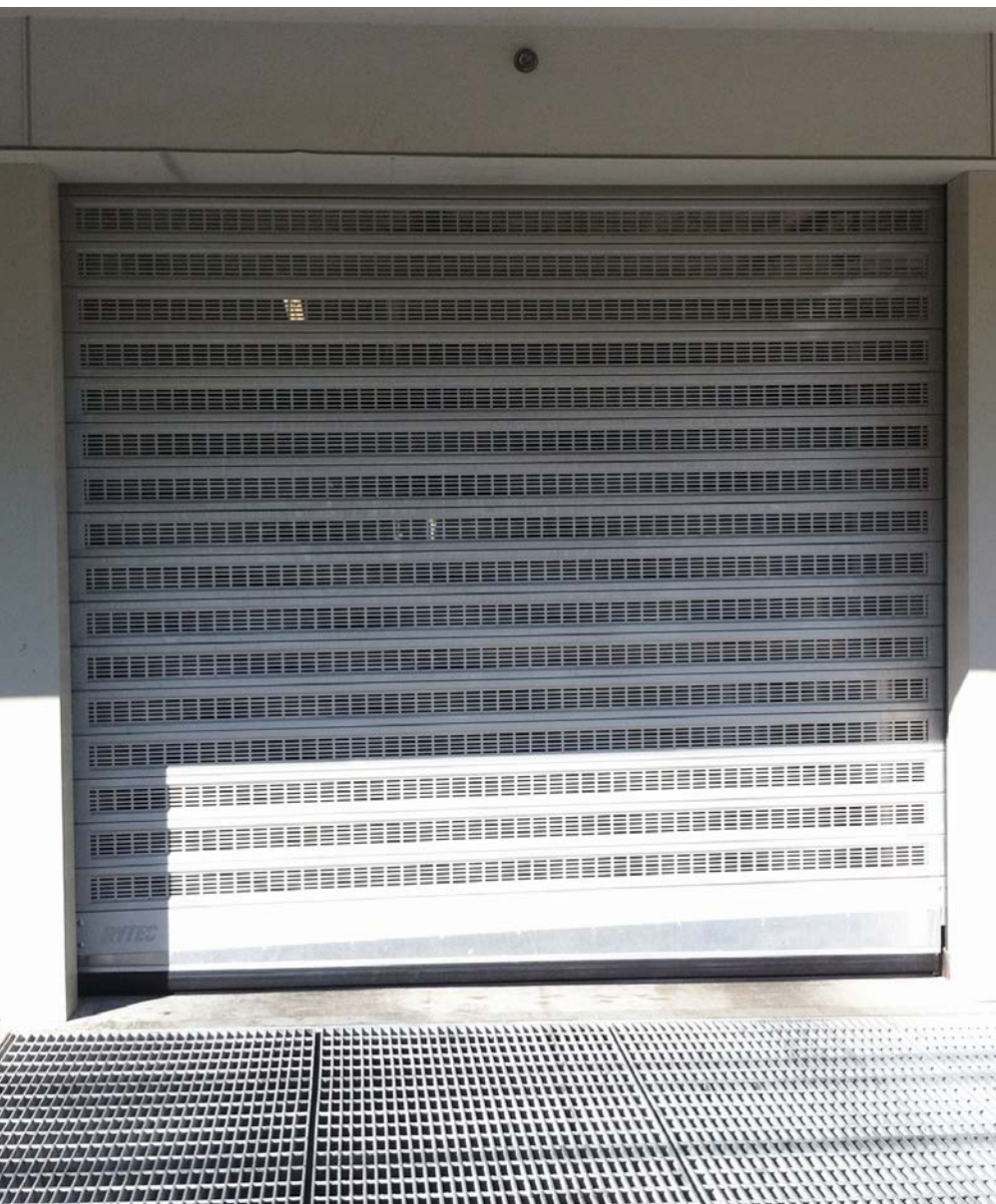
High Air Flow - Perforated slats circulate fresh air and provide ventilation to reduce pollutants and mold growth and regulate building air pressure and carbon monoxide levels.

Fast - Opens at up to 100 inches per second for improved traffic flow and to deter unauthorized access.

Whisper Quiet - The unique Spiral roll-up design features no metal-to-metal contact for remarkably quiet operation.

High Performance - The variable speed AC drive system, with soft acceleration and deceleration, smooths out routine stops and starts, virtually eliminating the clunking gear engagements associated with typical overhead door operation.

Safe and Secure Design - The ventilated slat is specifically designed with perforations that allow for maximum air flow, but are small enough so security and safety are never compromised.



SPIRAL® VT

HIGH PERFORMANCE VENTILATED DOOR

Model Name

- Rytec® Spiral® VT Door

Size and Dimensions

- Up to 26'2" W x 22'11" H
- Multiple door configurations based on door size.

Safety

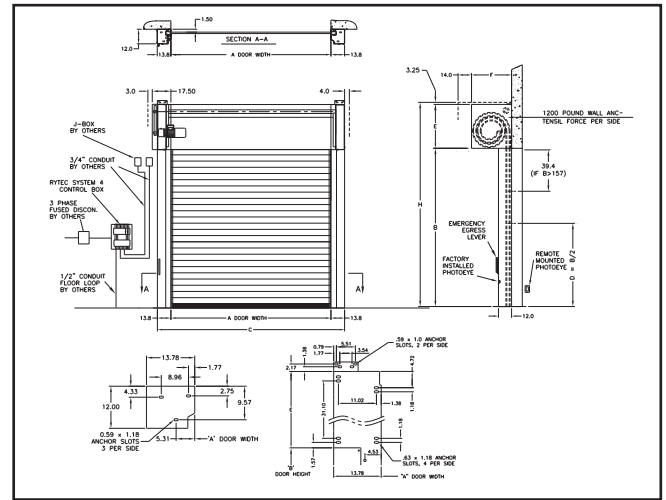
- Thru-beam photo eyes
- Control-reliable electronic reversing edge

Available Options

- Standard slats
- Vision slats
- Hood and motor covers

Warranty

- Five-year limited warranty on mechanical components.
- Two-year limited warranty on electrical components.



Shown with full ventilated slat configuration

Architectural Styling

- Sleek, high-tech aluminum perforated slats enable airflow and partial visibility.
- Slats are available in anodized aluminum or optional custom paint colors.

Spiral Technology

- Unique spiral design results in no metal to metal contact, resulting in less wear and tear.
- Whisper quiet and low maintenance operation.
- Utilizes a compact AC drive motor with variable speeds to allow for soft acceleration and deceleration.



Compact AC Drive Motor

Electrical Controls

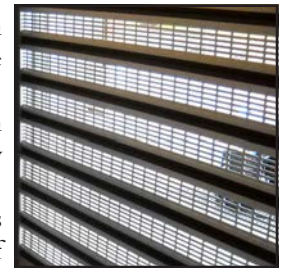
- System 4™ controller housed in a NEMA 4X rated enclosure with factory set parameters.
- Intelligent processor monitors and controls power consumption.
- Advanced self-diagnostics for troubleshooting.
- Continuous monitoring logs all door activity and cycles.



System 4 shown with optional rotary disconnect

Ventilated Panel Design

- Integrated ventilated slats with solid slats to regulate air pressure and light infiltration.
- Rubber weatherseal between slats is replaceable for easy maintenance.
- Patented hinge design allows for removal and replacement of single slat without disassembling the door panel.



Ventilated slats engineered for maximum air flow

Counterbalance System

- Up to six extension springs in each side column, depending on the size of the door.
- The springs assist the motor in opening, reducing motor wear and increasing the longevity of mechanical components.
- Mechanical egress lever on the side column allows the door to be opened in the event of a power failure.

Travel Speed

- Opens at up to 100 inches per second.



888-GO-RYTEC RytecDoors.com
 Tel 262-677-9046 Fax 262-677-2058
 One Cedar Parkway Jackson, WI 53037-0403