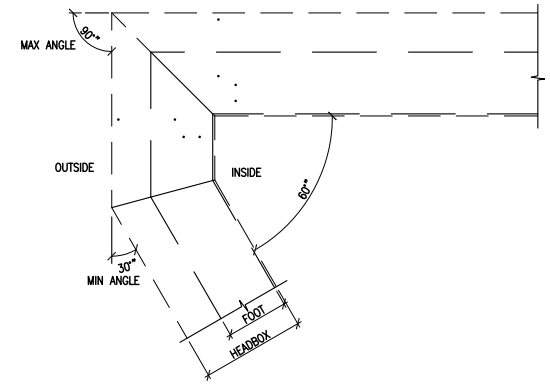
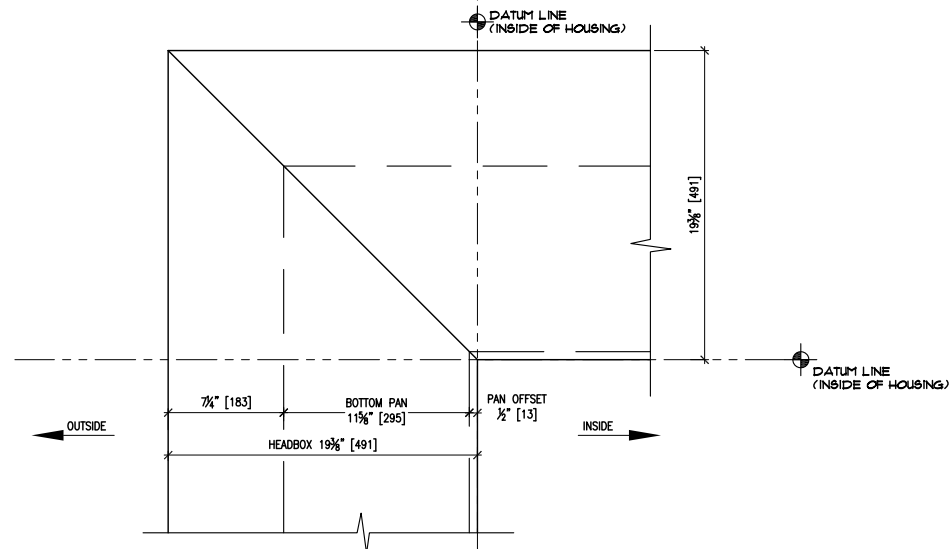


**C SECTION DETAIL @ HEADBOX**  
1"=1'-0"

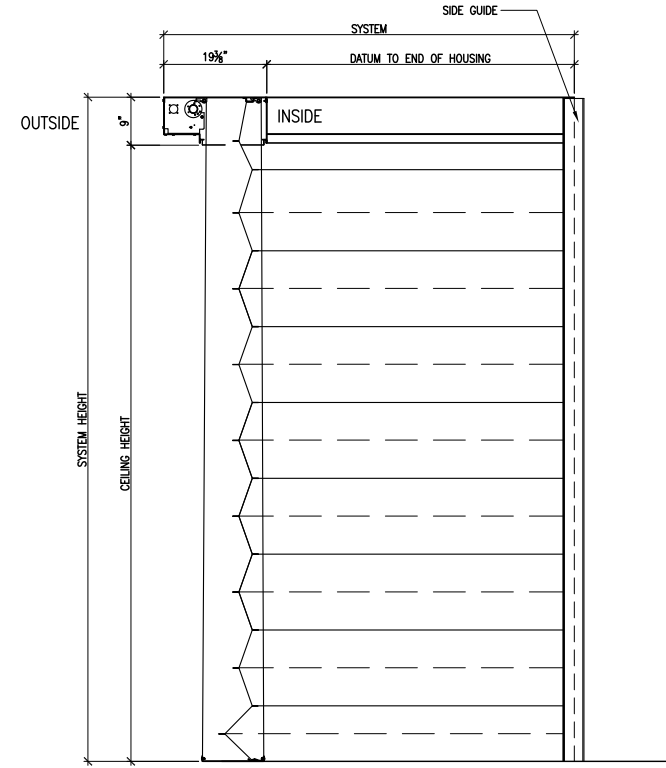
SCREW HEADS MAY ADD UP TO 1/2" IN THE DEPTH OF THE HOUSING.



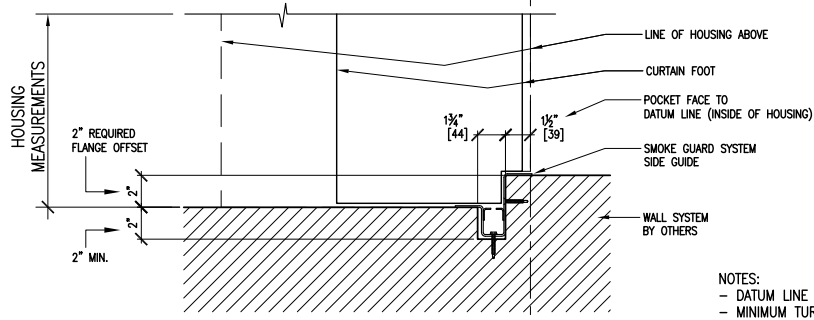
**2 RETURN ANGLE EXAMPLE FOR LESS THAN 90°**  
1"=3'-0"



**B PLAN DETAIL @ 90° CORNER**  
1"=1'-0"



**1 TYPICAL SECTION**  
1"=3'-0"



**A PLAN DETAIL @ SIDE GUIDE**  
1"=1'-0" (IF APPLICABLE)

- NOTES:
- DATUM LINE = INSIDE OF HOUSING
  - MINIMUM TURN ANGLE 30°, MAXIMUM 90°
  - MINIMUM SEGMENT LENGTH = 1'-0"
  - SYSTEMS MUST CONTAIN (1) 6'-0" SEGMENT FOR MOTOR AND CONTROLLER
  - APPROXIMATELY (1) MOTOR FOR EVERY 20'-0" OF SYSTEM
  - (1) 120V INPUT BY OTHERS FOR EVERY (3) MOTORS
  - SYSTEM WEIGHT DYNAMIC/STATIC - 40 lb/ft

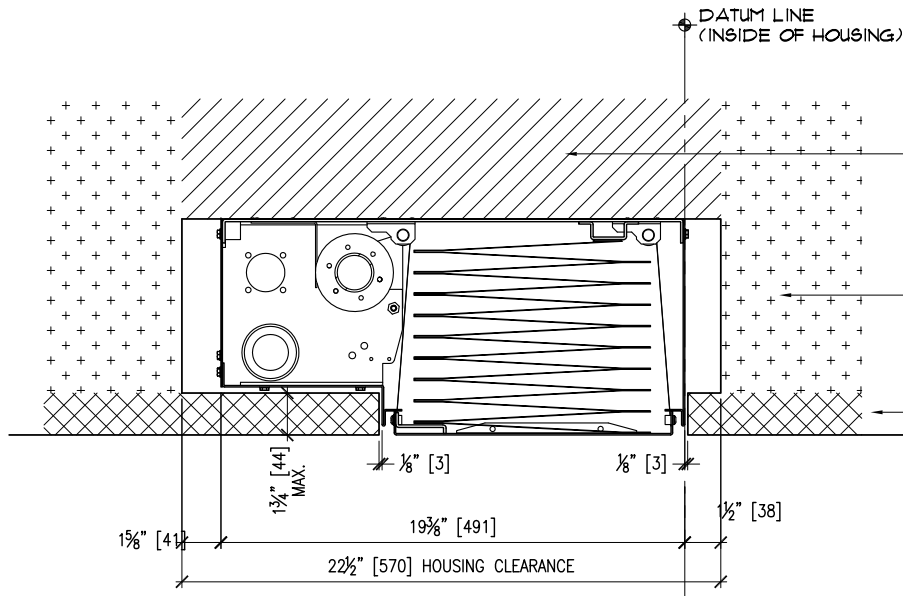
SG-M4000

DD1

GENERIC DESIGN DETAILS  
BY: HGK

M4000  
11.2.2015



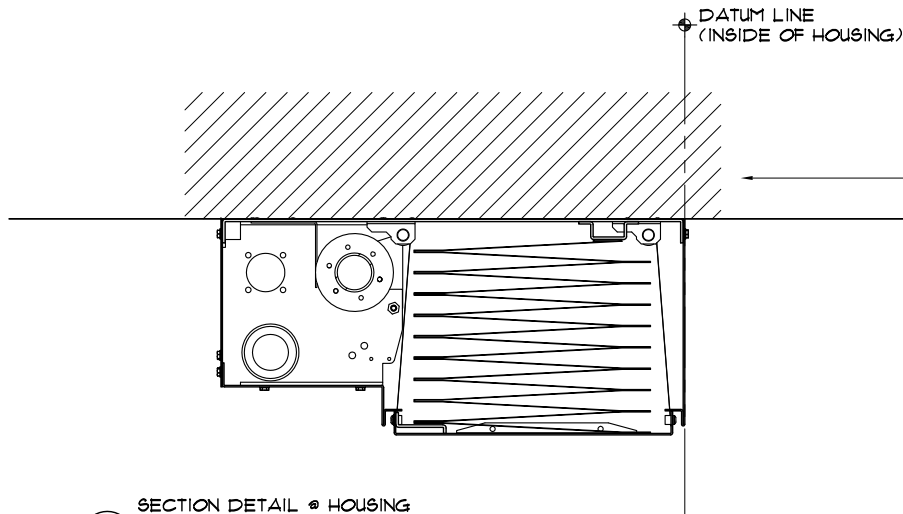


HEADER ZONE:  
STRUCTURAL SUBSTRATE FOR HOUSING ATTACHMENT BY OTHERS  
40 LB/FT (STATIC/DYNAMIC) MINIMUM LOAD CAPACITY  
ALSO PROVIDES CONTINUOUS FIRE/SMOKE PROTECTION TO ABOVE  
PER ARCHITECTURAL APPLICATION

CEILING SUPPORT ZONE:  
LOWERED CEILING SUSPENSION AREA BY OTHERS  
1.5" CLEARANCE TO HOUSING  
INSTALL AFTER SMOKE GUARD UNIT IN PLACE

CEILING ZONE:  
LOWERED CEILING FINISH BY OTHERS  
1/8" GAP BETWEEN FINISH AND UNIT HOUSING  
INSTALL AFTER SMOKE GUARD UNIT IN PLACE

**E** SECTION DETAIL @ HOUSING  
FINISH DETAIL CLEARANCES  
1/2" = 1'-0"



HEADER ZONE:  
STRUCTURAL SUBSTRATE FOR HOUSING ATTACHMENT BY OTHERS  
40 LB/FT (STATIC/DYNAMIC) MINIMUM LOAD CAPACITY  
ALSO PROVIDES CONTINUOUS FIRE/SMOKE PROTECTION TO ABOVE  
PER ARCHITECTURAL APPLICATION

**D** SECTION DETAIL @ HOUSING  
MINIMUM MOUNTING REQUIREMENTS  
1/2" = 1'-0"

SG-M4000

DD2

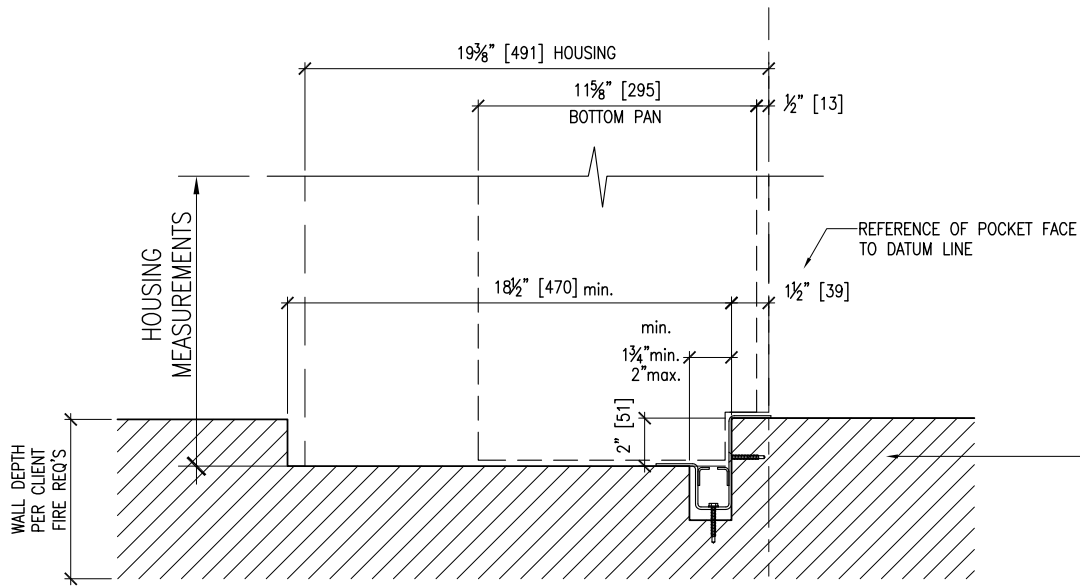
GENERIC  
DESIGN DETAILS

M4000

BY: HGK

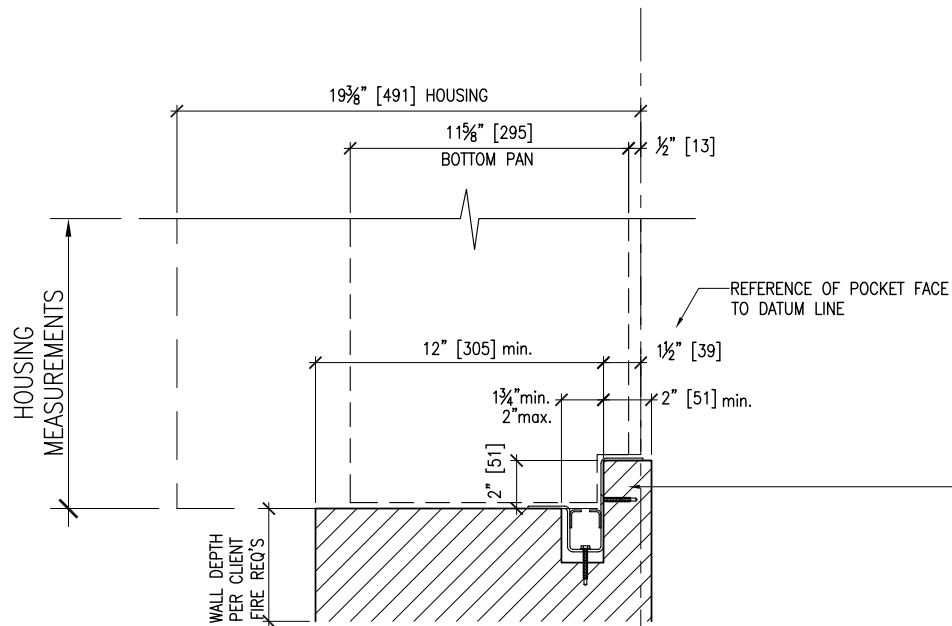
11.2.2015





**G** PLAN DETAIL @ SIDE GUIDE  
MINIMUM "POCKET" DIMENSIONS  
1/2"=1'-0"

STRUCTURAL SUBSTRATE FOR SIDE GUIDE ATTACHMENT BY OTHERS  
ALSO PROVIDES CONTINUOUS FIRE/SMOKE PROTECTION PER  
ARCHITECTURAL APPLICATION



**F** PLAN DETAIL @ SIDE GUIDE  
MINIMUM RATED WALL ENVELOPE  
1/2"=1'-0"

STRUCTURAL SUBSTRATE FOR SIDE GUIDE ATTACHMENT BY OTHERS  
ALSO PROVIDES CONTINUOUS FIRE/SMOKE PROTECTION PER  
ARCHITECTURAL APPLICATION

SG-M4000

DD3

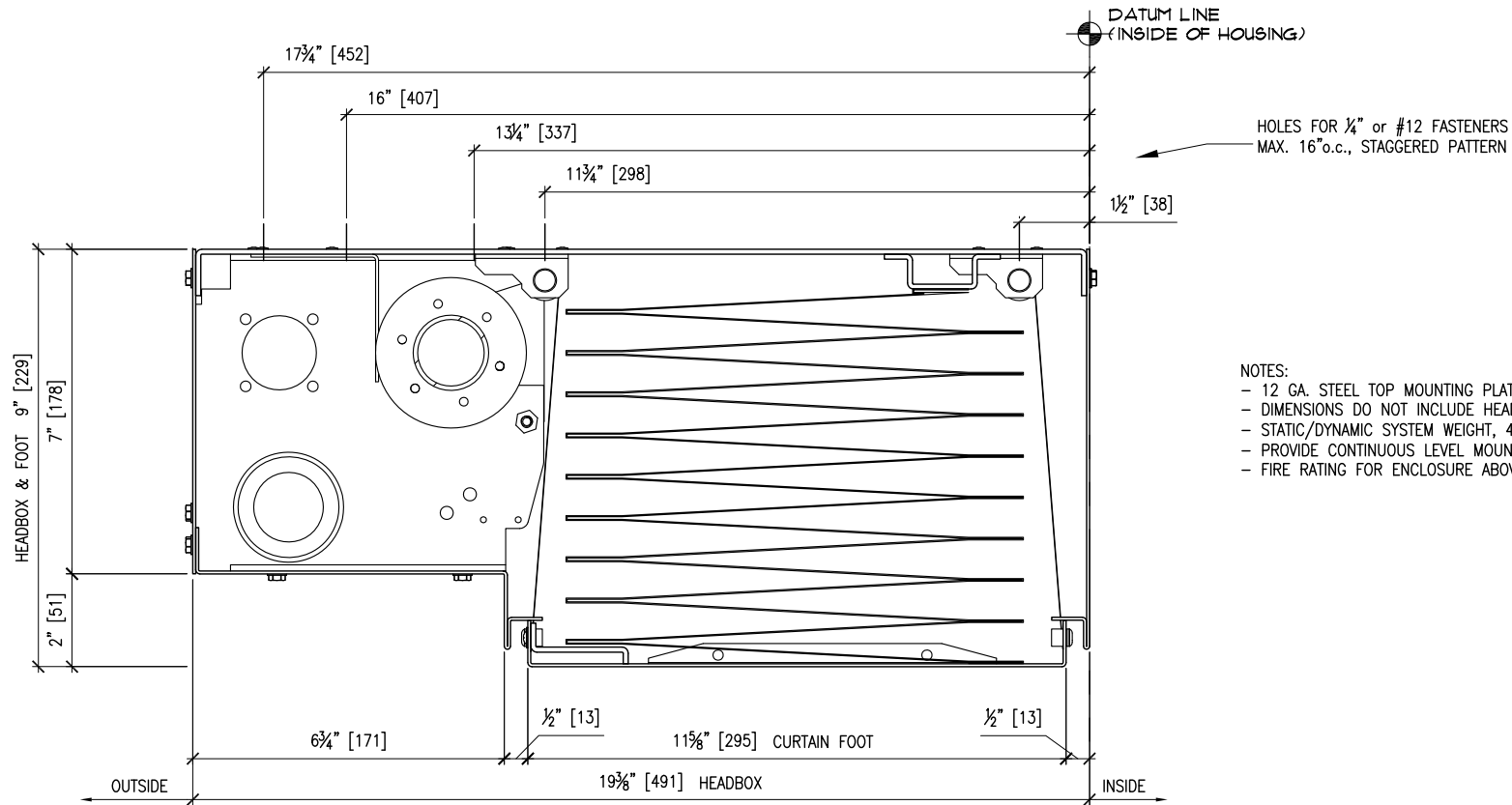
GENERIC  
DESIGN DETAILS

M4000

BY: HGK

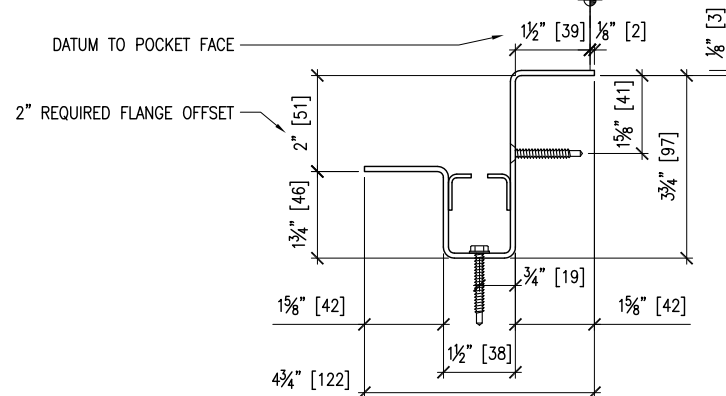
11.2.2015





- NOTES:
- 12 GA. STEEL TOP MOUNTING PLATE
  - DIMENSIONS DO NOT INCLUDE HEADS OF EXTERNAL FASTENERS
  - STATIC/DYNAMIC SYSTEM WEIGHT, 40 LB/FT MAX
  - PROVIDE CONTINUOUS LEVEL MOUNTING SURFACE
  - FIRE RATING FOR ENCLOSURE ABOVE HOUSING DESIGNED BY OTHERS

H HEADBOX - SECTION VIEW  
3"=1'-0"



- NOTES:
- 12 GA STEEL
  - 1/4" OR #12 FASTENER PER APPLICATION, 12" o.c.

J SIDE GUIDE - PLAN VIEW  
3"=1'-0" (IF APPLICABLE)

SG-M4000

DD4

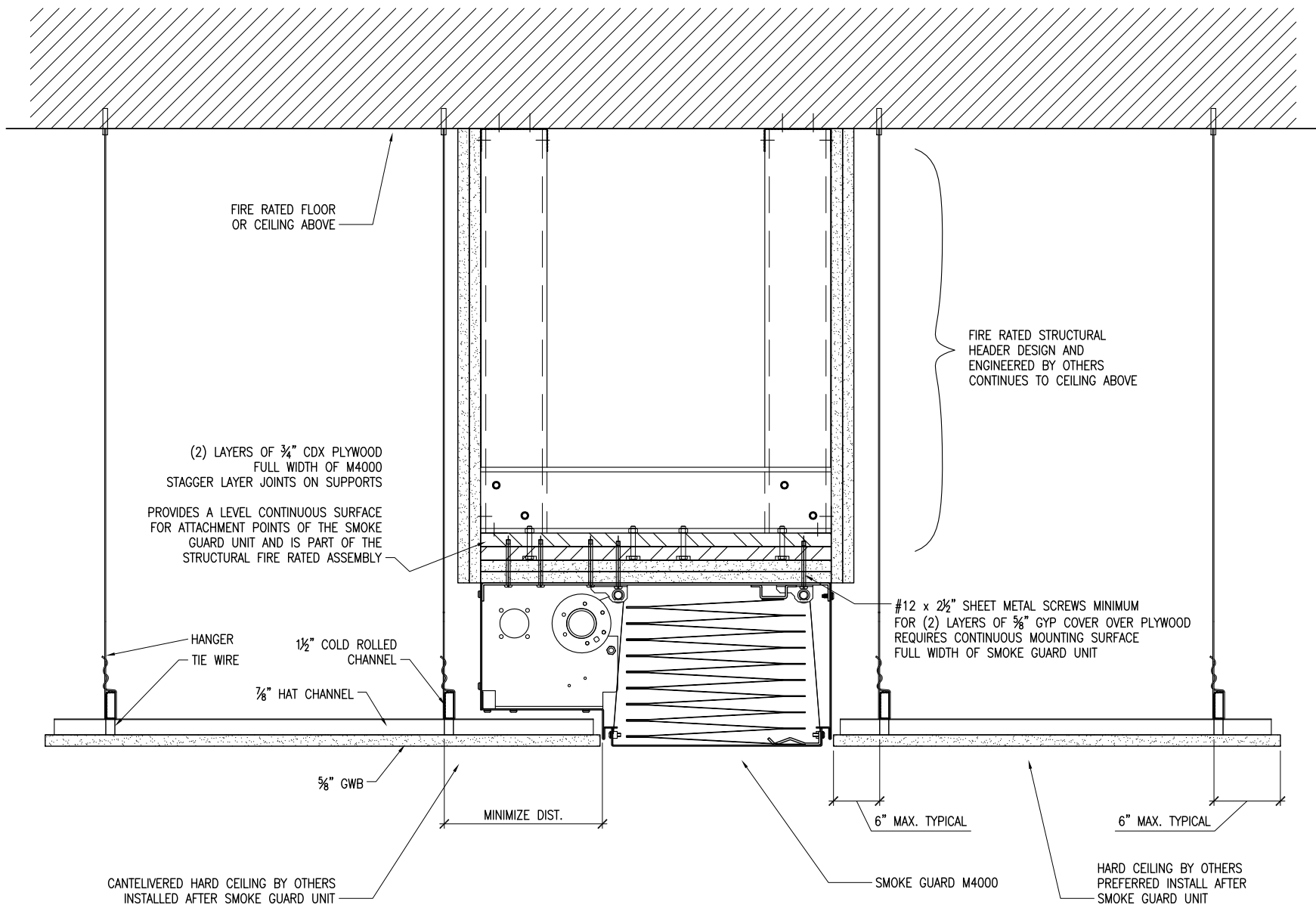
GENERIC  
DESIGN DETAILS

M4000

BY: HGK

11.2.2015





**K** GENERIC HEADER AND HARD CEILING APPLICATION  
1/2" = 1'-0"

SG-M4000

DD5

GENERIC  
DESIGN DETAILS

M4000

BY: HGK

11.2.2015

