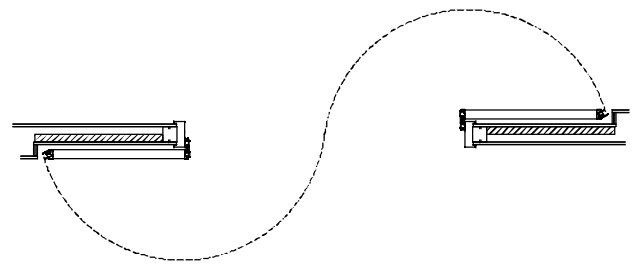
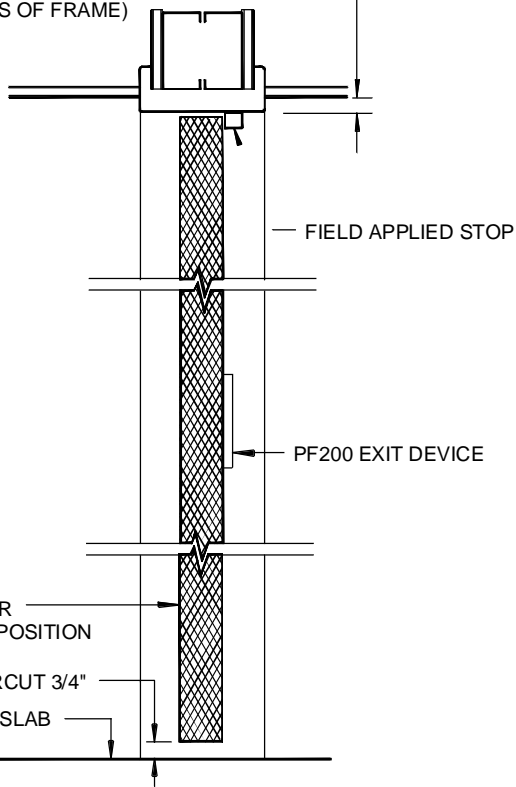
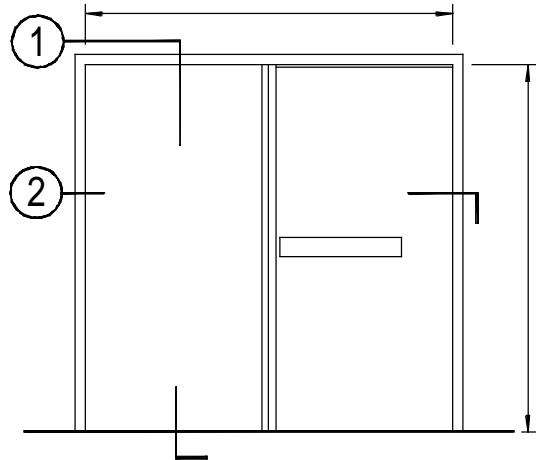


1" MIN. CLEARANCE REQUIRED FROM CEILING AND TOP OF POCKET TO FRAME RABBET (BOTH SIDES OF FRAME)



PLAN

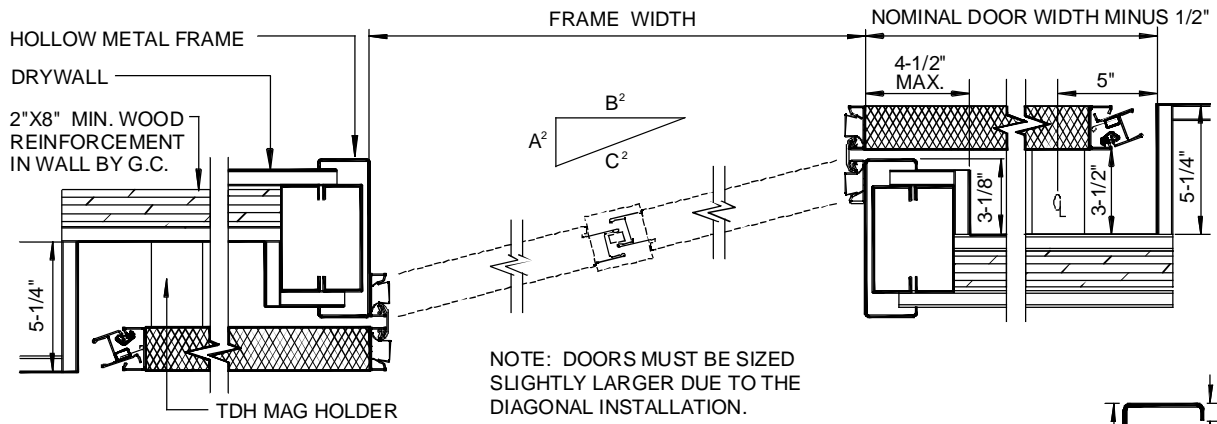


ELEVATION

**1** VERTICAL SECTION

NOT TO SCALE

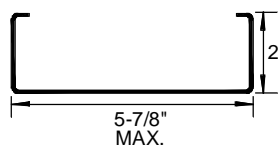
NOT TO SCALE



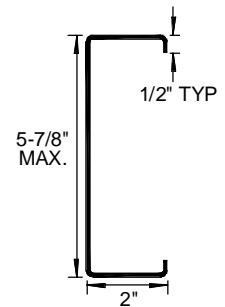
NOTE: DOORS MUST BE SIZED SLIGHTLY LARGER DUE TO THE DIAGONAL INSTALLATION. THIS IS DONE BY FOLLOWING THE EQUATION  $A^2 + B^2 = C^2$

**2** HORIZONTAL SECTION

NOT TO SCALE



HEAD DETAIL



JAMB DETAIL